

Aftermarket Operations
7585 Empire Drive
Florence, KY 41042
USA

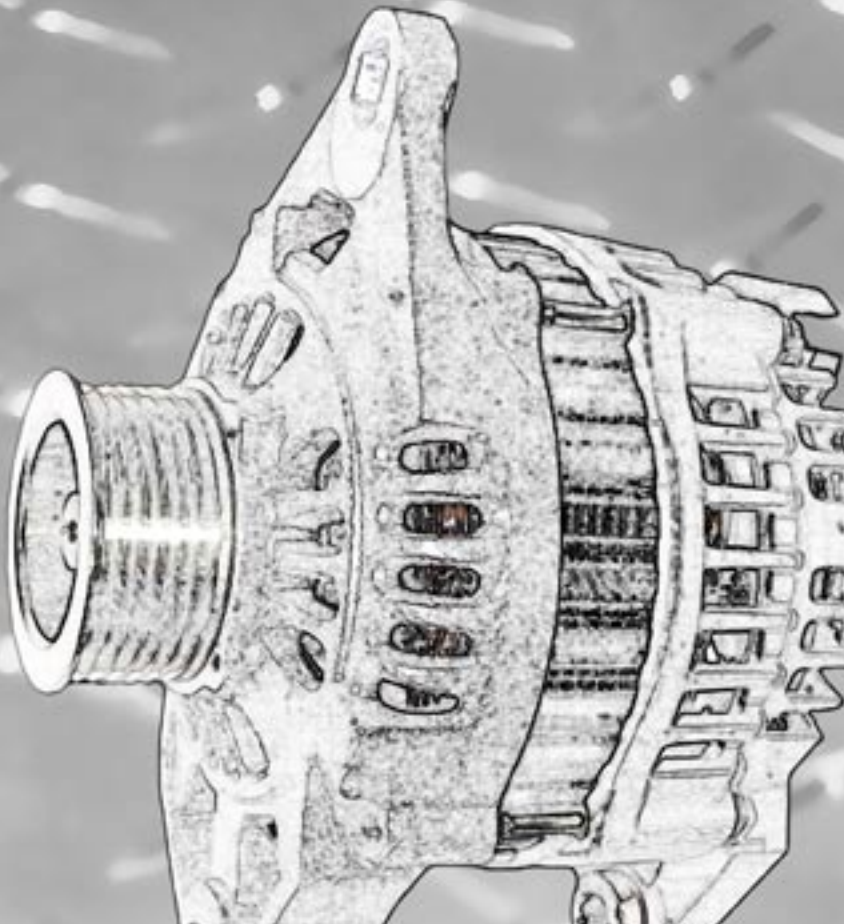
Tel: 1-800-354-0560
Fax: 1-800-997-6202

www.prestolite.com



Leece·Neville

HEAVY DUTY SYSTEMS



Alternator
Buyer's Guide

PP-1184
Rev 10/03

PAGE INTENTIONALLY LEFT BLANK

Application & Cross Reference Index

| SECTION | TITLE |
|----------------|--|
| 1 | Alternator Application & Cross Reference |
| 2 | Alternator Technical Reference Information |
| 3 | Alternator Cross Reference |
| 4 | Starter Motor Application & Cross Reference |
| 5 | Starter Motor Technical Reference Information |
| 6 | Starter Motor Cross Reference Guide |

DISCLAIMER

Whilst every care has been taken in compiling the information in this document, Leece-Neville Electric Inc. cannot accept legal liability for any inaccuracies, omissions, or consequential damage resulting there from. Prestolite Electric has an extensive design and development, which may alter product specifications.

Leece-Neville reserve the right to alter specifications without notice and whenever necessary to ensure optimum performance from its product range.

PAGE INTENTIONALLY LEFT BLANK

Alternator Application & Cross Reference Section



PAGE INTENTIONALLY LEFT BLANK

TYPICAL PRODUCT REPLACEMENT GUIDE

AS123 Bosch K1, Mando, Delco 10SI

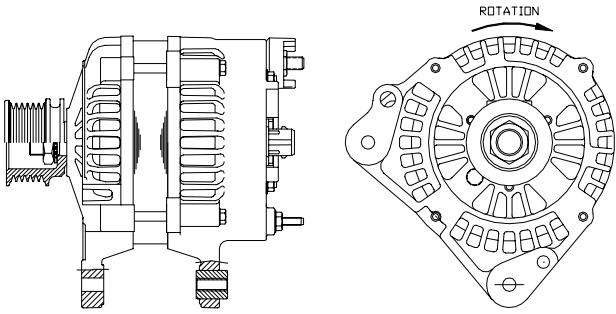
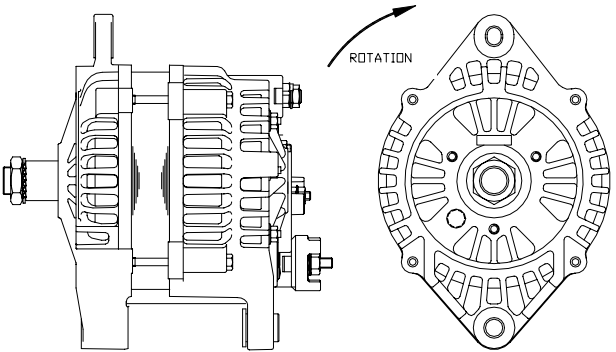
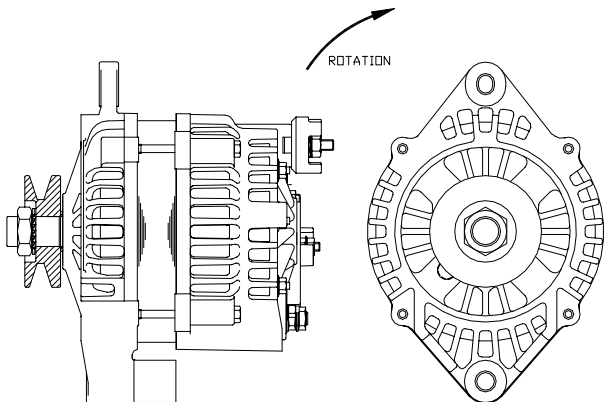
AS128e Bosch K1, Delco 12SI

AVi128 Mitsubishi, Hitachi

These alternators are good for Industrial, Agriculture, Marine, Special Purpose & Automotive applications

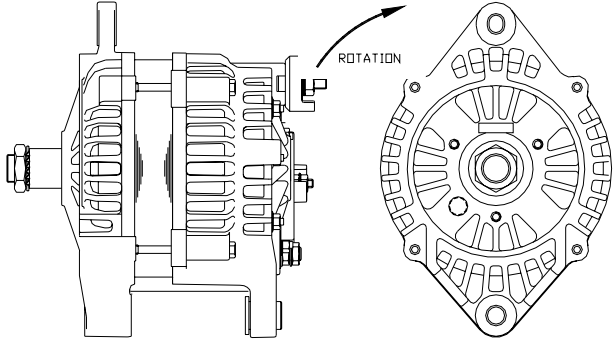
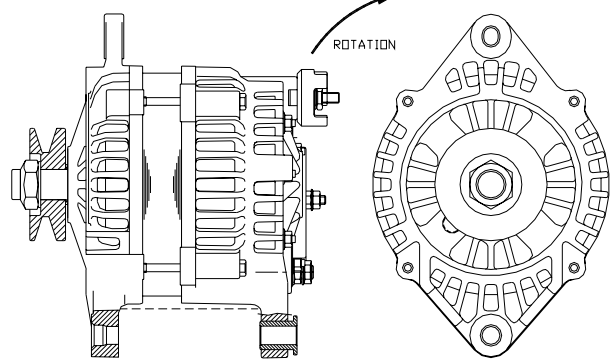
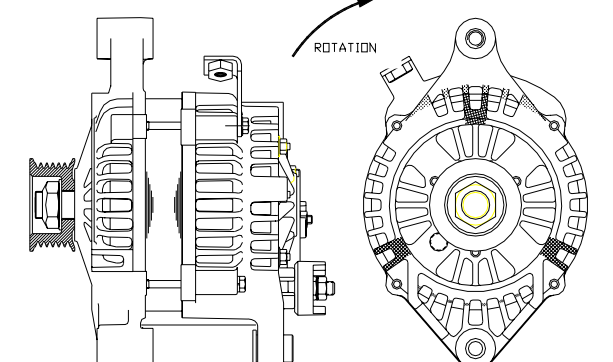
PAGE INTENTIONALLY LEFT BLANK

Alternator Application and Cross reference Guide

| Front & Side View | Type & Part. N° | Cross Ref. | Application / Vehicle / Engine |
|---|--|---|---|
|  | <p>AVi128 35214370 12V 90A</p> <p>6 Groove Pulley</p> | <p>Lester 13381</p> <p>Bosch 0 120 485 004 AL0181X AL0181V</p> <p>Volkswagen 021 903 023K</p> | <p>Volkswagen Cabrio: Eurovan; Golf; Jetta; Passat</p> <p>L4 1.8L & 2.0L L4 1.9L Diesel V6 2.8L</p> |
|  | <p>AVi128 35214490 12V 110A</p> | | <p>UPS GM 4.3L Engine</p> |
|  | <p>AVi128 35214620 12V 110A</p> <p>Externally Regulated</p> | | <p>Mercuriser</p> <p>SAE J1171</p> |

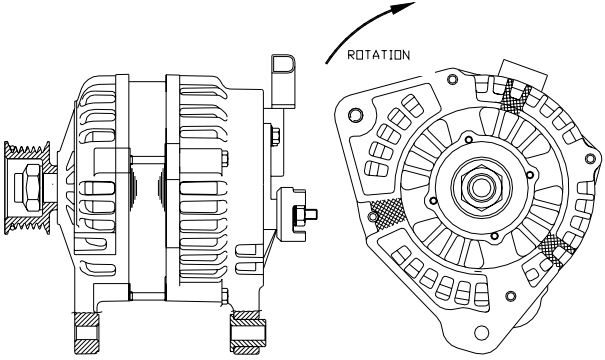
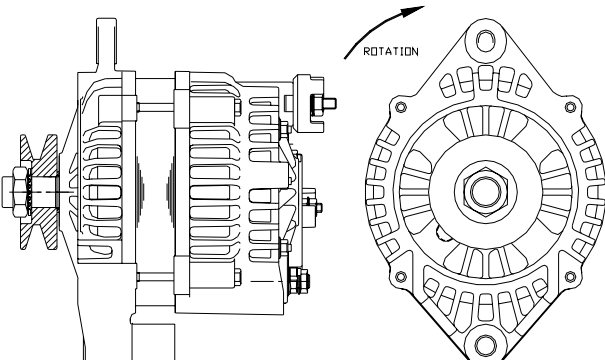
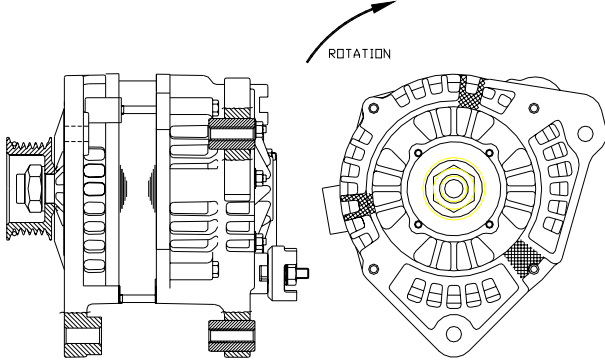
ALL LEECE-NEVILLE PART NUMBERS SHOWN ARE OE; FOR AFTERMARKET ORDERING ADD A "S" SUFFIX TO THE PART NUMBER (IE 66021601 IS OE & 66021601S IS AFTERMARKET)

Alternator Application and Cross reference Guide

| Front & Side View | Type & Part. N° | Cross Ref. | Application / Vehicle / Engine |
|---|--|------------|---|
|  | <p>AVi128 35214650 12V 110A</p> | | <p>TUG</p> |
|  | <p>AVi128 35214655 12V 80A Externally Regulated</p> | | <p>Yanmar Marine SAE J1171</p> |
|  | <p>AVi128 35214930 12V 100A</p> | | <p>GM Opel Corsa</p> |

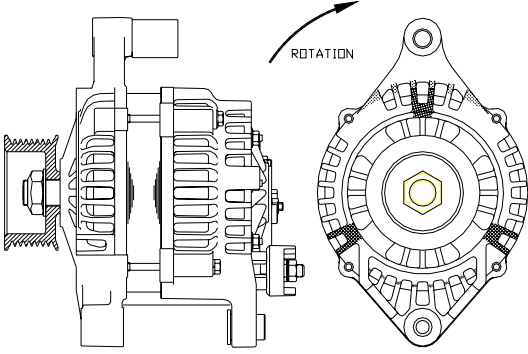
ALL LEECE-NEVILLE PART NUMBERS SHOWN ARE OE; FOR AFTERMARKET ORDERING ADD A "S" SUFFIX TO THE PART NUMBER (IE 66021601 IS OE & 66021601S IS AFTERMARKET)

Alternator Application and Cross reference Guide

| Front & Side View | Type & Part. N° | Cross Ref. | Application / Vehicle / Engine |
|---|---|--|---|
|  | <p>AVi128 35214945 12V 100A</p> | <p>PIC 250-435</p> <p>Ford 2U1L-10300-BA XS61-10300-AA</p> | <p>Ford Courier Pickup Rocam 1.3L & 1.6L</p> |
|  | <p>AVi128 35214965 12V 90A</p> <p>Black Powder Coated Finish</p> | | <p>GM Marine application</p> |
|  | <p>AVi128 35214975 12V 100A</p> | <p>PIC 250-424</p> <p>Ford 1L5U-10300-AD</p> | <p>Ford Light Trucks Ford Ranger 2.3L Mazda B2300</p> |

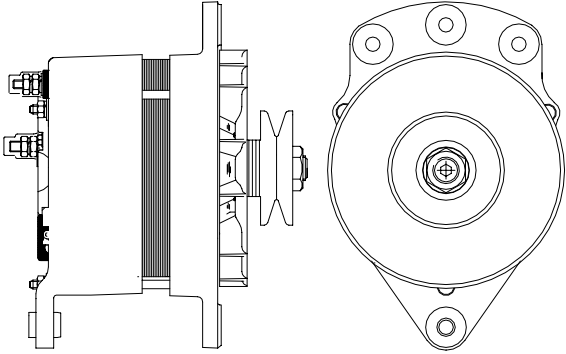
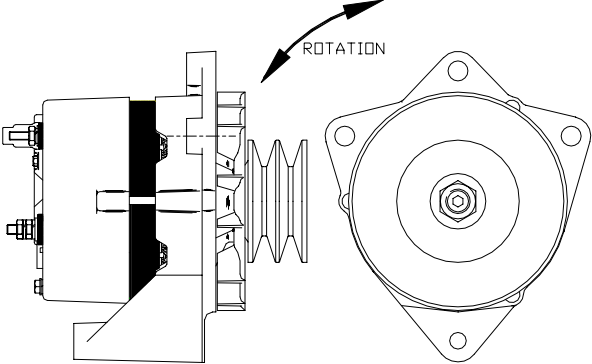
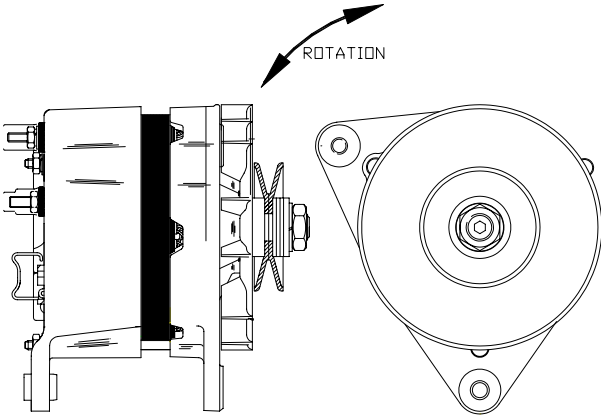
ALL LEECE-NEVILLE PART NUMBERS SHOWN ARE OE; FOR AFTERMARKET ORDERING ADD A "S" SUFFIX TO THE PART NUMBER (IE 66021601 IS OE & 66021601S IS AFTERMARKET)

Alternator Application and Cross reference Guide

| Front & Side View | Type & Part. N° | Cross Ref. | Application / Vehicle / Engine |
|---|---|------------|--------------------------------|
|  | <p>AVi128 35214985 12V 100A</p> | | |

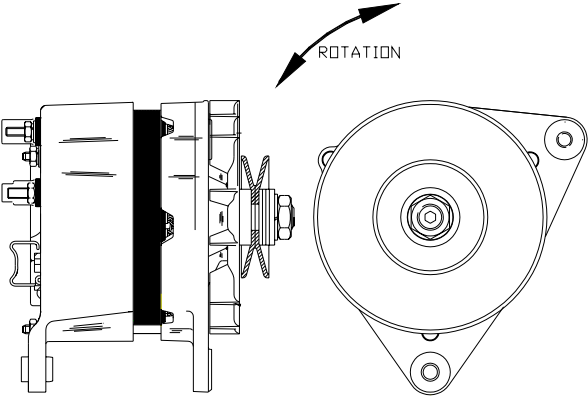
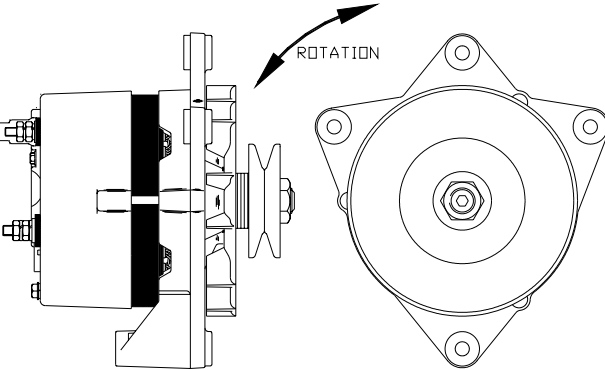
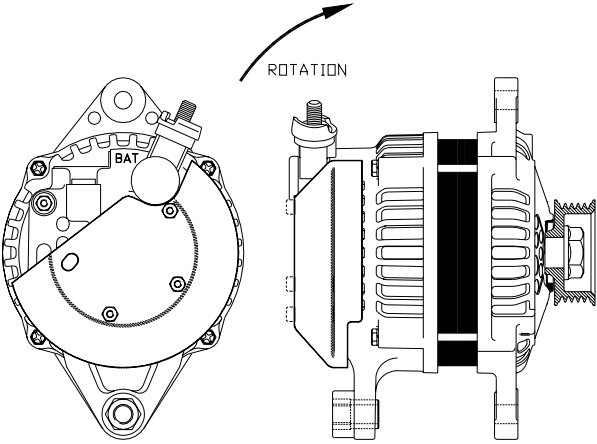
ALL LEECE-NEVILLE PART NUMBERS SHOWN ARE OE; FOR AFTERMARKET ORDERING ADD A "S" SUFFIX TO THE PART NUMBER (IE 66021601 IS OE & 66021601S IS AFTERMARKET)

Alternator Application and Cross reference Guide

| Front & Side View | Type & Part. N° | Cross Ref. | Application / Vehicle / Engine |
|---|--|---|---|
|  | <p>AS123</p> <p>66021070 "Multifit"</p> <p>12V 70A</p> <p>Variable Pulley</p> | <p>Leece-Neville 110-571</p> <p>Iskra IA0301 IA0396</p> | <p>Agricultural Massey Ferguson Tractors 354, 364, 374, 384, 394</p> |
|  | <p>AS123</p> <p>66021134</p> <p>24V 55A</p> <p>2 Groove Pulley</p> | <p>Lester PIC 282-144</p> <p>Iskra IA-0360</p> <p>Bosch</p> | <p>Mercedes Benz Hanomag Henschel Tatra</p> |
|  | <p>AS123</p> <p>66021136</p> <p>12V 70A</p> <p>Variable Pulley</p> | <p>Lester 12040 12045 12046 12088</p> <p>Lucas 24157 24158 A2514</p> <p>Cargo 110891 110968 111355</p> <p>Iskra IA 0067</p> <p>Marelli 63324245</p> | <p>Ford Case Massey Ferguson Tractors & Industrial</p> <p>JCB Lift truck</p> <p>Other Cross Reference</p> <p>Dixie A-448 Perkins 2871A148 Perkins 2871A154</p> |

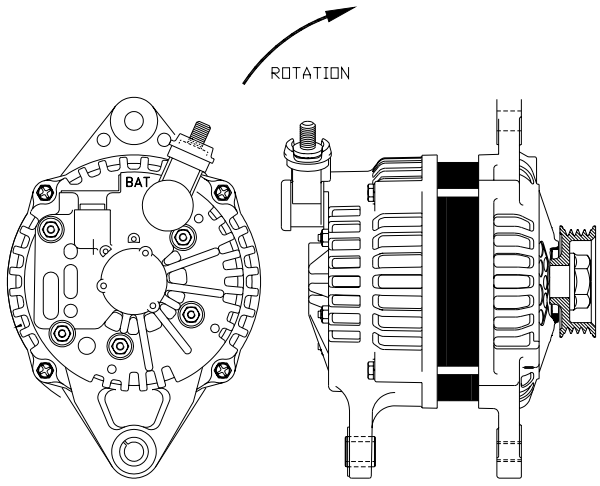
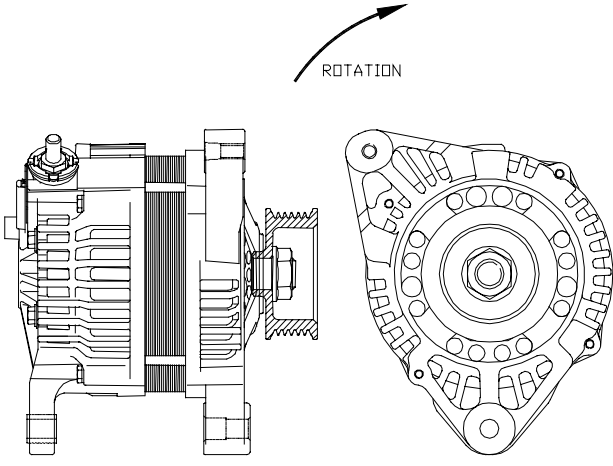
ALL LEECE-NEVILLE PART NUMBERS SHOWN ARE OE; FOR AFTERMARKET ORDERING ADD A "S" SUFFIX TO THE PART NUMBER (IE 66021601 IS OE & 66021601S IS AFTERMARKET)

Alternator Application and Cross reference Guide

| Front & Side View | Type & Part. N° | Cross Ref. | Application / Vehicle / Engine |
|---|--|---|---|
|  | <p>AS123 66021137</p> <p>12V 70A</p> <p>Variable Pulley</p> | <p>Lester 12072</p> <p>Lucas 24145 24260</p> <p>Iskra IA0305</p> <p>Marelli 54022234D</p> <p>Massey Ferguson 1475-922-M91</p> | <p>Massey Ferguson Perkins</p> <p>Tractors Combine & Industrial</p> |
|  | <p>AS123 66021153</p> <p>12V 70A</p> | <p>Lester 14948 14949</p> <p>Iskra IA-0096</p> <p>Bosch 0-020-300-552 0 120 339 514 0 120 339 531 AL905X</p> <p>Dixie A-626</p> <p>John Deere RE 506197</p> | <p>Case, Deutz, Massey Fergusson, MWM, Fendt John Deere</p> <p>Other Cross Reference</p> <p>Delco 10459522</p> |
|  | <p>AVi128 66021300</p> <p>12V 90A</p> <p>5 Groove Pulley</p> <p>Heat Shield on Rear</p> | <p>Lester 13446</p> <p>Mitsubishi A3T08491</p> <p>Ford F32Z-10346-B</p> <p>Mazda 93AC-18-300-BA K801-18-300B</p> <p>Bosch AL-4211X</p> | <p>Ford Probe Mazda MX-3; MX-6</p> <p>1.8L V6 2.5L</p> |

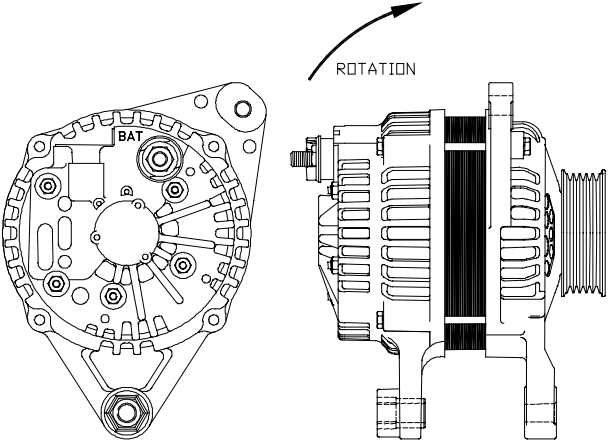
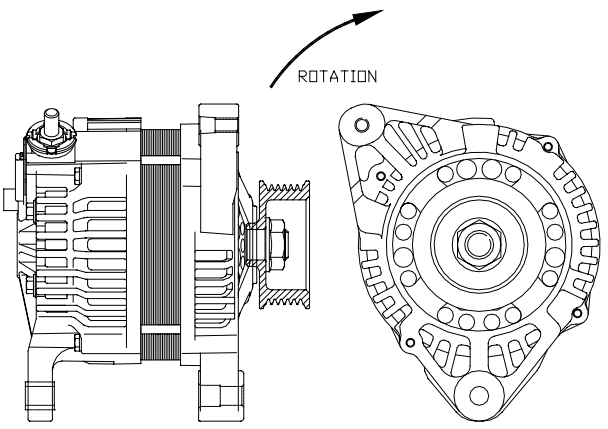
ALL LEECE-NEVILLE PART NUMBERS SHOWN ARE OE; FOR AFTERMARKET ORDERING ADD A "S" SUFFIX TO THE PART NUMBER (IE 66021601 IS OE & 66021601S IS AFTERMARKET)

Alternator Application and Cross reference Guide

| Front & Side View | Type & Part. N° | Cross Ref. | Application / Vehicle / Engine |
|---|---|---|--|
|  | <p>AVi128 66021301 12V 90A 4 Groove Pulley</p> | <p>Lester 13196</p> <p>Mitsubishi A2T05892 A2T05893</p> <p>Ford E92Z-10346-A E92Z-10346-B</p> <p>Mazda 95AM-18300-AA F202-18-300 F8B1-18-300</p> <p>Bosch AL-272X</p> <p>Cargo 110664</p> | <p>Ford Probe</p> <p>Mazda</p> <p>2.2L</p> |
|  | <p>AVi128 66021303 12V 80A 6 Groove Pulley</p> | <p>Lester 13636</p> <p>Hitachi LR180-744</p> <p>Nissan 23100-1E800</p> <p>Bosch AL2364X</p> | <p>Nissan Altima</p> <p>L4 2.4L (KA24DE)</p> |

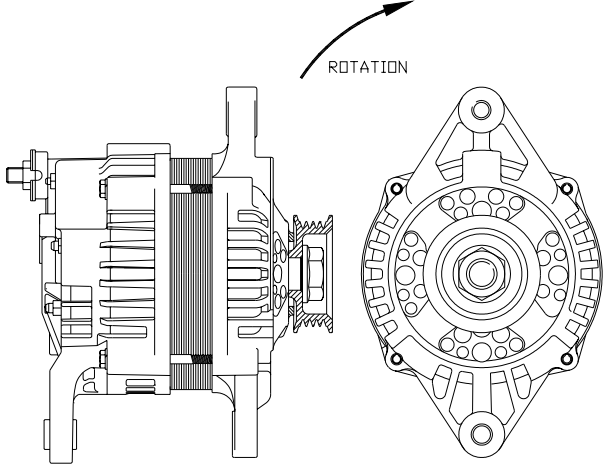
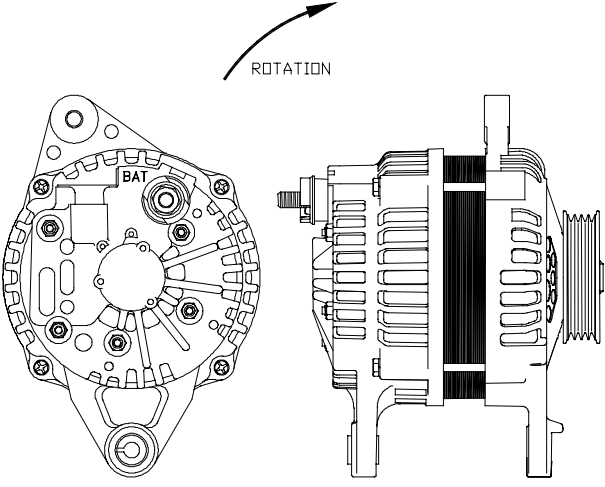
ALL LEECE-NEVILLE PART NUMBERS SHOWN ARE OE; FOR AFTERMARKET ORDERING ADD A "S" SUFFIX TO THE PART NUMBER (IE 66021601 IS OE & 66021601S IS AFTERMARKET)

Alternator Application and Cross reference Guide

| Front & Side View | Type & Part. N° | Cross Ref. | Application / Vehicle / Engine |
|--|---|--|---|
|  | <p>AVi128 66021306 12V 90A 5 Groove Pulley</p> | <p>Lester 13272 13352 Mitsubishi A3T00792 MD112322 Bosch AL4003X AL4010X</p> | <p>Dodge Stelth Hyundai Sonata Mitsubishi Colt Mitsubishi Diamante Mitsubishi Galant Mitsubishi Sigma V6 3.0L</p> |
|  | <p>AVi128 66021308 12V 80A 6 Groove Pulley</p> | <p>Lester 13640 13723 Hitachi LR180-741 H & S Mitsubishi A2T82491 A2T82491A Nissan 23100-0M810 23100-2J010 23100-4B400 Bosch AL2370X</p> | <p>Nissan Infinity G20 Nissan Sentra Nissan 200SX L4 2.0L (SR20DE)</p> |

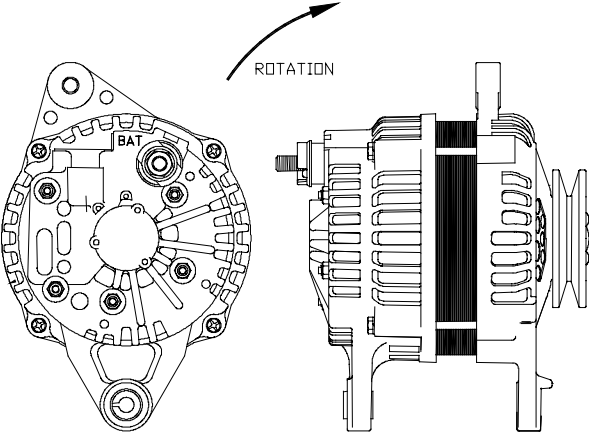
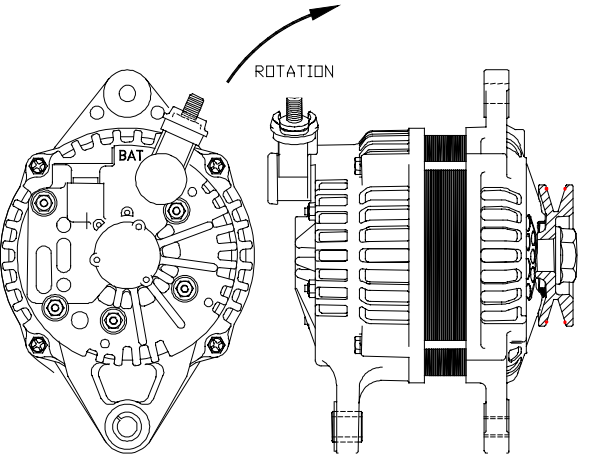
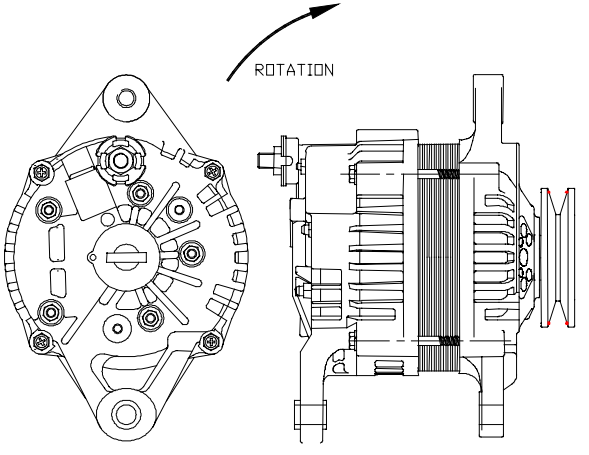
ALL LEECE-NEVILLE PART NUMBERS SHOWN ARE OE; FOR AFTERMARKET ORDERING ADD A "S" SUFFIX TO THE PART NUMBER (IE 66021601 IS OE & 66021601S IS AFTERMARKET)

Alternator Application and Cross reference Guide

| Front & Side View | Type & Part. N° | Cross Ref. | Application / Vehicle / Engine |
|---|--|---|--|
|  | AVi128 66021309 12V 90A 4 Groove Pulley | Lester 13334 Hitachi LR170-738 Nissan 23100-EQ001B 23100-50Y06 23100-50Y09 Bosch AL2354X J&N 44-44002 | Nissan NX 1600 Nissan Sentra L4 1.6L (GA16DE) |
|  | AVi128 66021312 12V 90A 4 Groove Pulley | Lester 13249 13271 13289 13451 Mitsubishi A2T38391 A3T03392 A3T03492 MD136838 MD133171 MD153843 Bosch AL4005X AL4006X AL4008X AL4009X J&N 400-48003 | Dodge Colt 1.6L & 2.4L Mitsubishi 1.6L; 2.0L & 2.4L Plymouth Colt All Models Plymouth 1.6L; 2.0L & 2.4L |

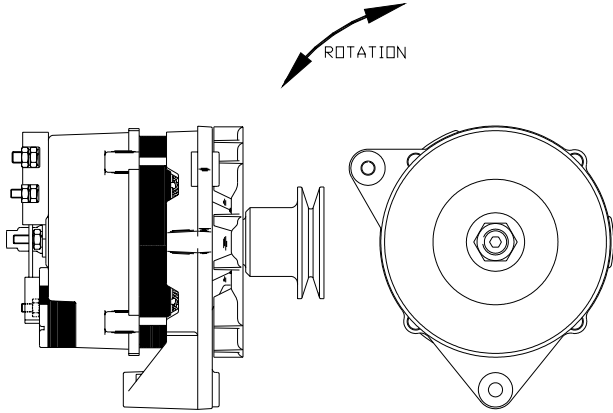
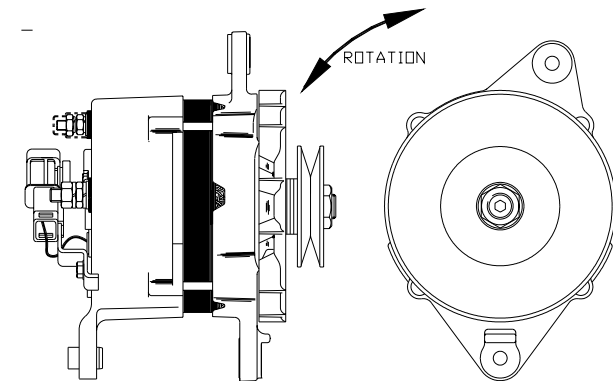
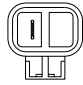
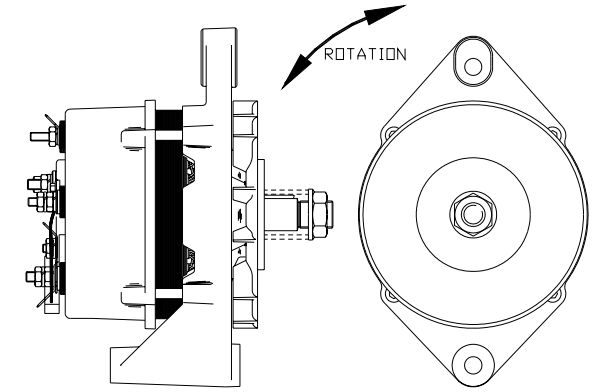
ALL LEECE-NEVILLE PART NUMBERS SHOWN ARE OE; FOR AFTERMARKET ORDERING ADD A "S" SUFFIX TO THE PART NUMBER (IE 66021601 IS OE & 66021601S IS AFTERMARKET)

Alternator Application and Cross reference Guide

| Front & Side View | Type & Part. N° | Cross Ref. | Application / Vehicle / Engine |
|---|---|--|--|
|  | <p>AVi128 66021330 12V 80A</p> | <p>Lester 12303</p> <p>Mitsubishi MD169683 A3T03471</p> <p>Clark 920244</p> | <p>Mitsubishi Forklift FGC Series Gas & LPG 4G33; 4G52; 4G54; 4G64 Engines</p> |
|  | <p>AVi128 66021331 12V 90A</p> | <p>Lester 13237</p> <p>Mitsubishi A2T17574</p> <p>Mazda N350-18-300 A & B</p> <p>Bosch AL4209X</p> | <p>Mazda</p> |
|  | <p>AVi128 66021332 12V 90A</p> | <p>Lester 12136</p> <p>Mitsubishi A7T03371 A7T03371A</p> <p>Nissan 23100-50K10</p> | <p>Nissan Forklift H20 2.0L H25 2.4L</p> |

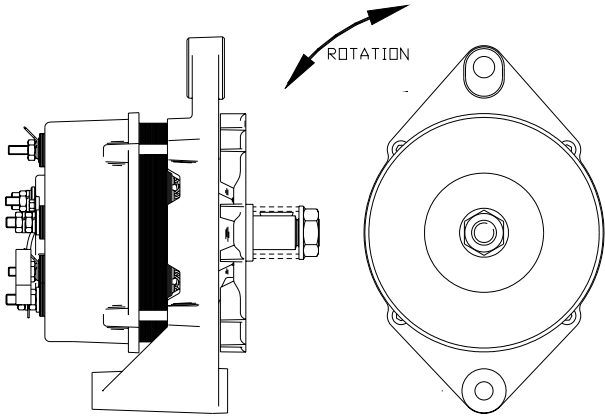
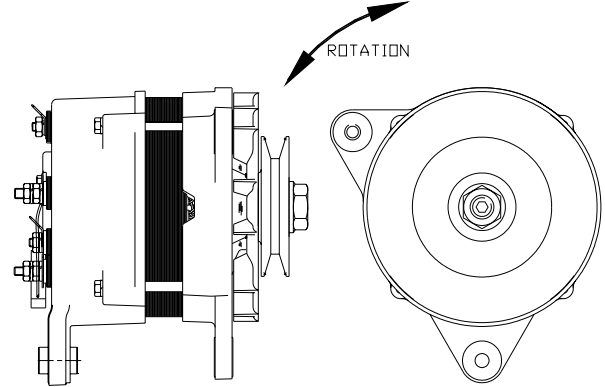
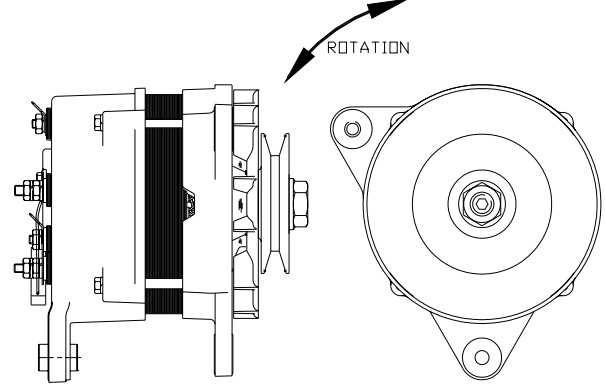
ALL LEECE-NEVILLE PART NUMBERS SHOWN ARE OE; FOR AFTERMARKET ORDERING ADD A "S" SUFFIX TO THE PART NUMBER (IE 66021601 IS OE & 66021601S IS AFTERMARKET)

Alternator Application and Cross reference Guide

| Front & Side View | Type & Part. N° | Cross Ref. | Application / Vehicle / Engine |
|---|--|--|---|
|  | <p>AS123 66021433 12V 70A</p> <p>With VW terminal block</p> | <p>Lester 14970 14875</p> <p>PIC 220-224 208-132</p> <p>Bosch 0-120-489-362</p> <p>Bosch Reman AL32X</p> <p>Valeo 2940304</p> <p>Volkswagen 025-903-023B</p> | <p>Volkswagen</p> <p>Cabriolet 1.8L Fox 1.8L Golf 1.8L Jetta 1.8L Scirocco 1.8L</p> |
|  | <p>AS123 66021470 12V 65A</p> <p>Yazaki Plug For Excitation</p>  | <p>Lester 12303</p> <p>Mitsubishi A3T03471 MD169683</p> | <p>Mitsubishi Caterpillar Clark Fork Lifts FG; FGC & KFG Series Lift Trucks</p> <p>Mitsubishi Engines 4G33 4G52 4G54 4G64</p> |
|  | <p>AS123 66021490 24V 55A</p> <p>19mm Shaft with Key</p> <p>Insulated Ground Separate Field Control</p> | <p>Lester</p> <p>Perkins CV70291</p> | <p>Perkins</p> |

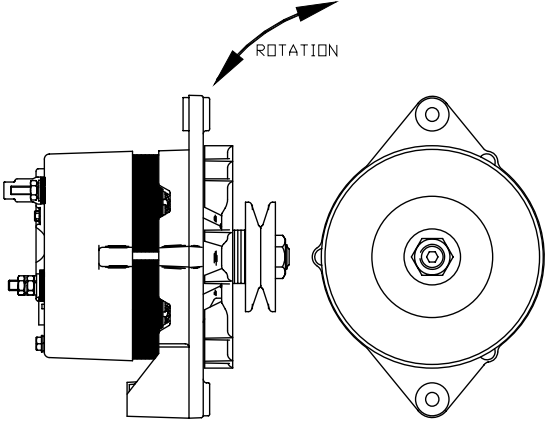
ALL LEECE-NEVILLE PART NUMBERS SHOWN ARE OE; FOR AFTERMARKET ORDERING ADD A "S" SUFFIX TO THE PART NUMBER (IE 66021601 IS OE & 66021601S IS AFTERMARKET)

Alternator Application and Cross reference Guide

| Front & Side View | Type & Part. N° | Cross Ref. | Application / Vehicle / Engine |
|---|---|---|---|
|  | <p>AS123 66021497 24V 55A 19mm Shaft with Key</p> <p>Insulated Ground Separate Field Control</p> | <p>Lester</p> <p>Prestolite LNA 4024/8</p> <p>Cummins 3634778</p> | <p>Industrial</p> <p>Cummins GenSet</p> |
|  | <p>AS128e 66021532 24V 60A 80mm Pulley</p> | <p>Sabre Marine 35362</p> <p>Lucas 47020083</p> | <p>Perkins / Sabre Marine</p> |
|  | <p>AS128e 66021535 12V 90A 80mm Pulley</p> | <p>Sabre Marine 35361</p> <p>Lucas 47020088</p> | <p>Perkins / Sabre Marine</p> |

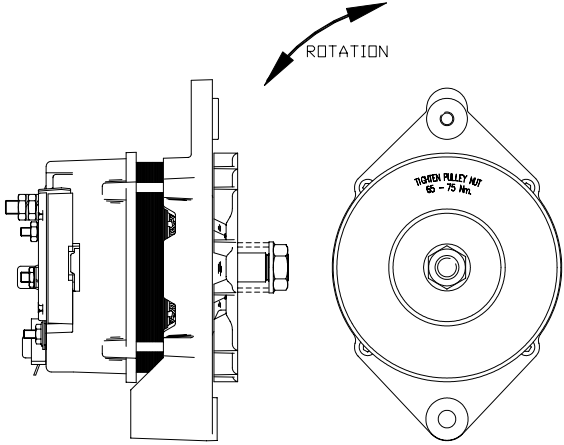
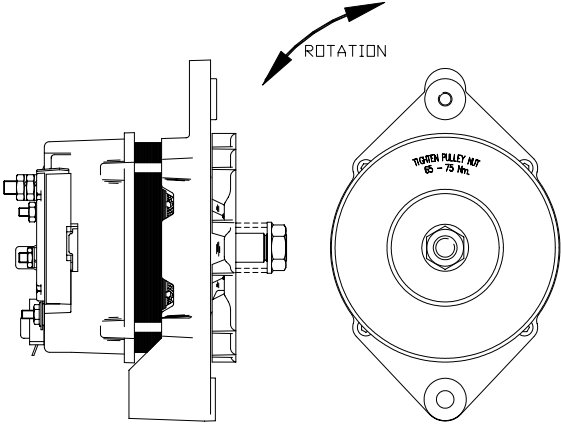
ALL LEECE-NEVILLE PART NUMBERS SHOWN ARE OE; FOR AFTERMARKET ORDERING ADD A "S" SUFFIX TO THE PART NUMBER (IE 66021601 IS OE & 66021601S IS AFTERMARKET)

Alternator Application and Cross reference Guide

| Front & Side View | Type & Part. N° | Cross Ref. | Application / Vehicle / Engine |
|---|--|------------|--------------------------------|
|  | <p>AS123 66021538 12V 60A Earth Polarity</p> | | |

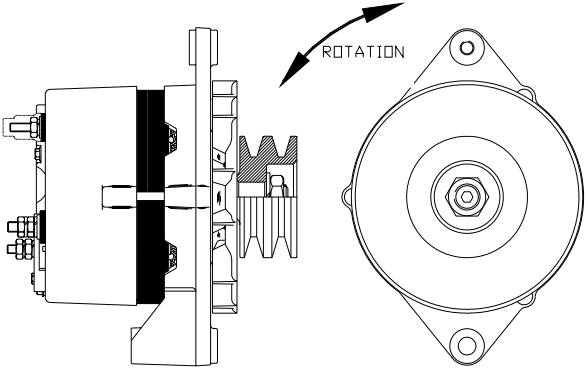
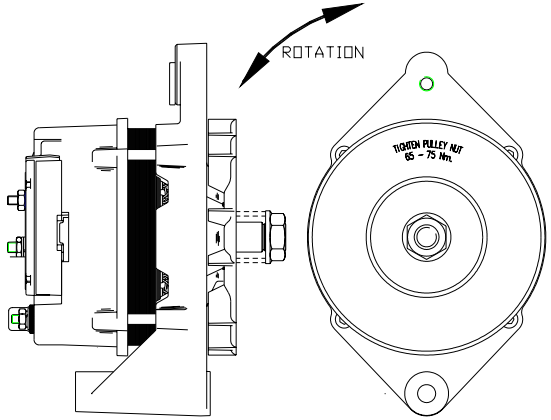
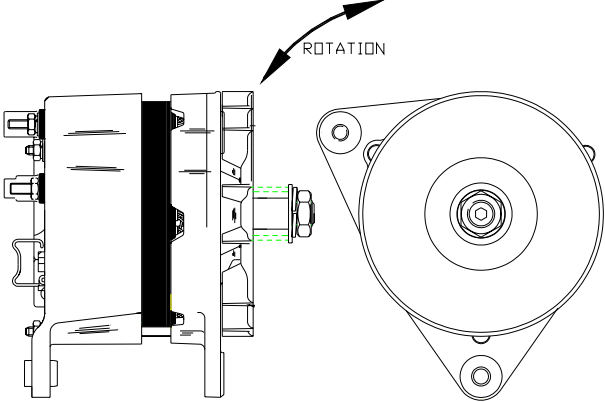
ALL LEECE-NEVILLE PART NUMBERS SHOWN ARE OE; FOR AFTERMARKET ORDERING ADD A "S" SUFFIX TO THE PART NUMBER (IE 66021601 IS OE & 66021601S IS AFTERMARKET)

Alternator Application and Cross reference Guide

| Front & Side View | Type & Part. N° | Cross Ref. | Application / Vehicle / Engine |
|---|--|--|--|
|  | <p>AS123 66021600 24V 50A</p> <p>17mm shaft</p> | <p>Lester 12148</p> <p>PIC 220-379 220-378</p> <p>Bosch 9-120-060-039 9-120-060-045 0-120-488-206 AL9940X</p> <p>Delco 19020535</p> <p>John Deere TY24322</p> <p>Onan 0191-2326-02 0191-1983-02</p> | <p>Cummins Power Generation, Onan Gensets John Deere 850C Grader Crawler Case Excavator Komatsu</p> <p>Cummins B4 3.9L Cummins B6 5.9L</p> |
|  | <p>AS123 66021601 12V 65A</p> <p>17mm shaft</p> | <p>Lester 12146 12158 12161</p> <p>PIC 220-382</p> <p>Bosch 9-120-060-040 9-120-488-205 AL9959X</p> <p>Cummins 3920679 3604448RX</p> <p>Delco 10459500 19020536</p> <p>Dixie A-6185</p> <p>John Deere AT173624</p> <p>Onan 0191-2326-01 0191-1983-01</p> | <p>Cummins Power Generation, Onan Gensets John Deere Backhoe John Deere Loader</p> <p>Cummins B4 3.9L Cummins B6 5.9L JD 310E, 315D, 410C</p> |

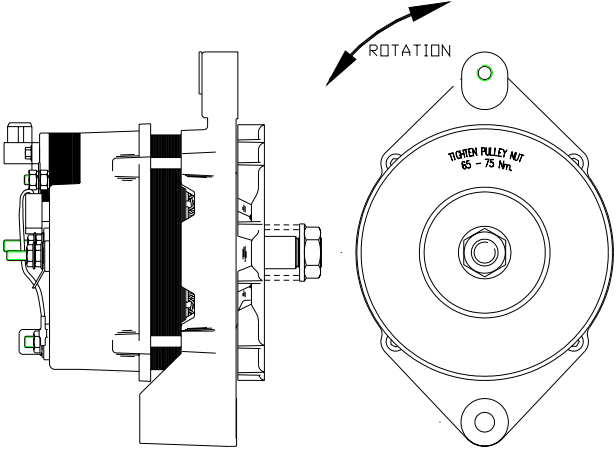
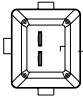
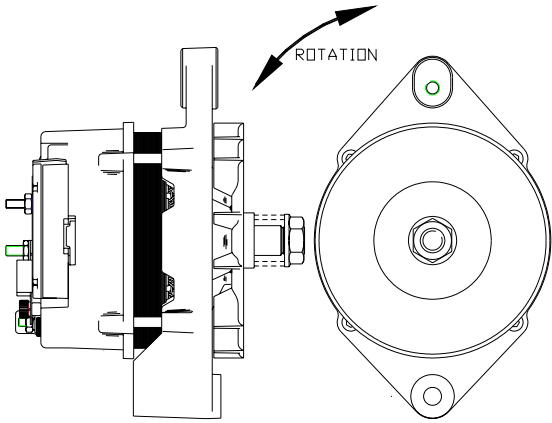
ALL LEECE-NEVILLE PART NUMBERS SHOWN ARE OE; FOR AFTERMARKET ORDERING ADD A "S" SUFFIX TO THE PART NUMBER (IE 66021601 IS OE & 66021601S IS AFTERMARKET)

Alternator Application and Cross reference Guide

| Front & Side View | Type & Part. N° | Cross Ref. | Application / Vehicle / Engine |
|---|---|---|--|
|  | <p>AS123 66021603 12V 65A 70mm Double Groove Pulley</p> | <p>Lester Mando TA000B32301 Mitsubishi CAT 91920-04200</p> | <p>Mitsubishi Caterpillar</p> |
|  | <p>AS123 66021604 12V 65A 17mm Shaft External Regulator</p> | <p>Lester 7078 Ford 1U1L-10346-AA E1BF-10346-BA D8BF-10346-AA D9HT-10300-EA E1ZF-10300-CA</p> | <p>Ford Fairmont, Granada, Mustang 2.3L L4 2.8L V6 3.3L V6 4.1L L6 4.2L V8 5.0L V8 5.8L V8 Ford Medium Trucks. E & F Series</p> |
|  | <p>AS123 66021605 12V 70A 17mm Shaft Temperature Sensing Regulator</p> | <p>Lester 12090 12091 Lucas 24274 24274D Massey Ferguson 3701-909-M91 Marelli 54022337 54022776D</p> | <p>Ford Massey Ferguson Perkins Tractors & Industrial</p> |

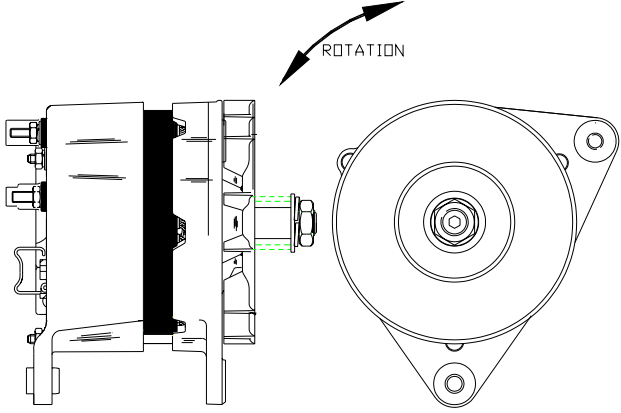
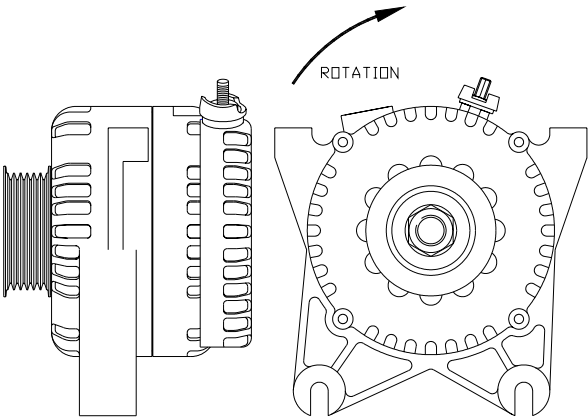
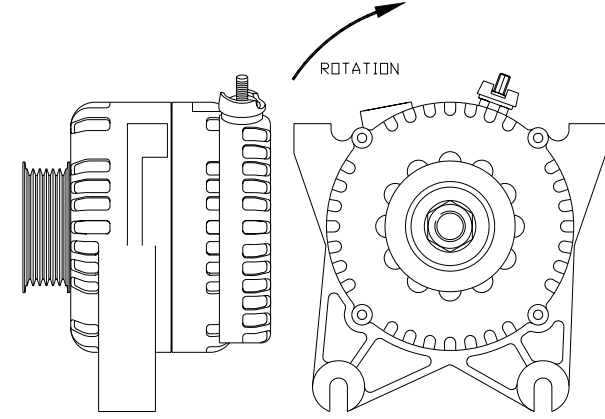
ALL LEECE-NEVILLE PART NUMBERS SHOWN ARE OE; FOR AFTERMARKET ORDERING ADD A "S" SUFFIX TO THE PART NUMBER (IE 66021601 IS OE & 66021601S IS AFTERMARKET)

Alternator Application and Cross reference Guide

| Front & Side View | Type & Part. N° | Cross Ref. | Application / Vehicle / Engine |
|---|--|---|--|
|  | <p>AS123 66021606 12V 70A 17mm Shaft</p> <p>Bosch Type Plug</p>  | <p>Lester 12223</p> <p>Bosch 9-120-060-028 9-120-060-027 9-120-060-023 AL927X AL929X</p> <p>Thermo King 44-9570 44-9571 44-9572</p> | <p style="text-align: center;">Thermo King</p> |
|  | <p>AS123 66021608 12V 70A 17mm long Shaft</p> | <p>Lester 12158 13193</p> <p>Bosch 9-120-489-703 9-120-489-704 AL906X</p> <p>Delco 10459520</p> <p>Dixie A-6108</p> <p>Iskra IA0592 IA0595</p> <p>John Deere AT173624</p> | <p style="text-align: center;">John Deere Backhoe John Deere Loader</p> <p style="text-align: center;">Tractors & Industrial</p> |

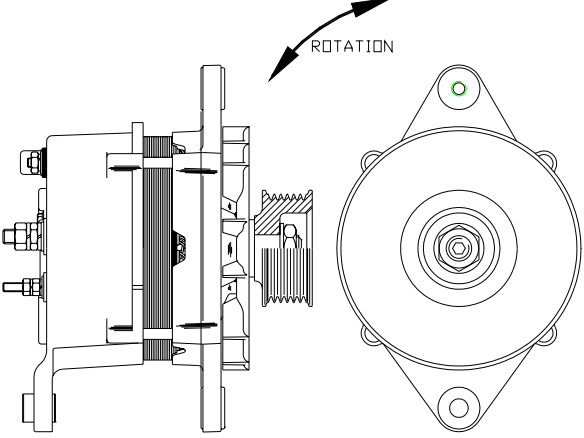
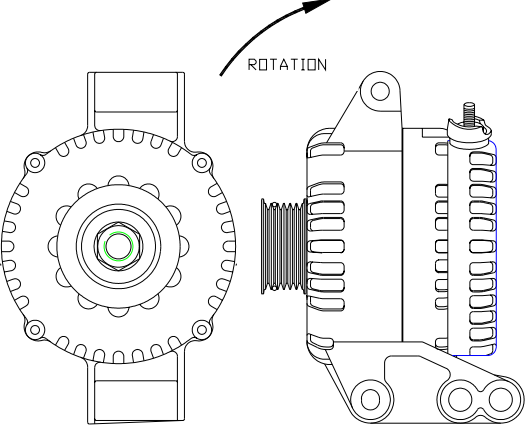
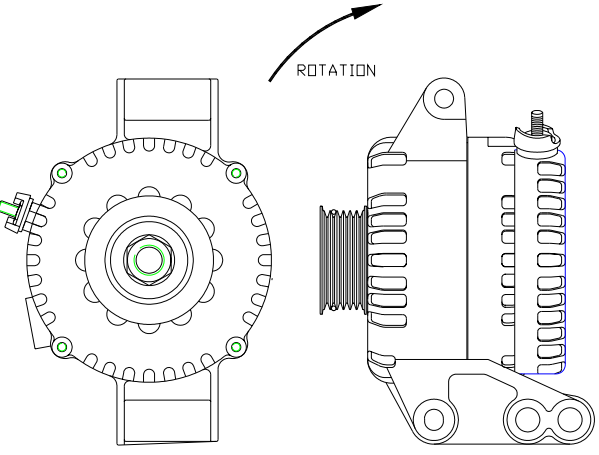
ALL LEECE-NEVILLE PART NUMBERS SHOWN ARE OE; FOR AFTERMARKET ORDERING ADD A "S" SUFFIX TO THE PART NUMBER (IE 66021601 IS OE & 66021601S IS AFTERMARKET)

Alternator Application and Cross reference Guide

| Front & Side View | Type & Part. N° | Cross Ref. | Application / Vehicle / Engine |
|---|---|--|--|
|  | <p>AS123 66021609 12V 70A 17mm Shaft Temperature Sensing Regulator</p> | <p>Lester Lucas Massey Ferguson Marelli</p> | <p>Ford AG Massey Ferguson Perkins Tractors & Industrial</p> |
|  | <p>AVi128 66021610 12V 90A 6 Groove Pulley</p> | <p>Lester 7776 Ford 1U1L-10300-AA F85U-10300-BA F85U-10300-BC</p> | <p>5.4L Marine Engine 6.8L Engine Complies to SAE J1171</p> |
|  | <p>AVi128 66021611 12V 90A 8 Groove Pulley</p> | <p>Lester 8251 Ford 2U1L-10300-AA XL3U-10300-AA F8SU-10300-BC</p> | <p>5.4L Supercharged Engine Complies to SAE J1171</p> |

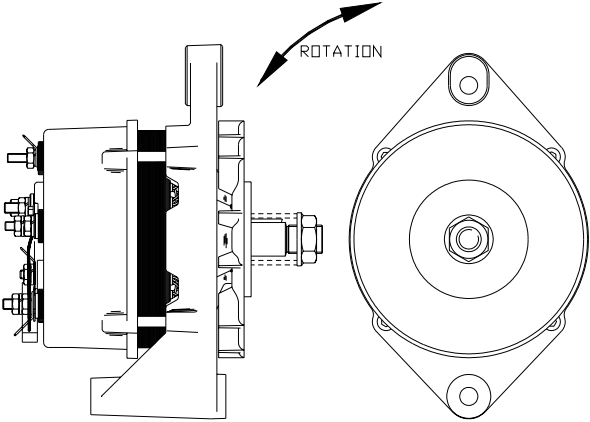
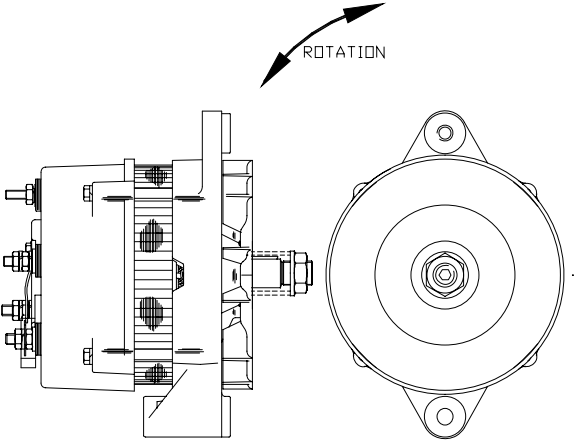
ALL LEECE-NEVILLE PART NUMBERS SHOWN ARE OE; FOR AFTERMARKET ORDERING ADD A "S" SUFFIX TO THE PART NUMBER (IE 66021601 IS OE & 66021601S IS AFTERMARKET)

Alternator Application and Cross reference Guide

| Front & Side View | Type & Part. N° | Cross Ref. | Application / Vehicle / Engine |
|---|---|---|--|
|  | <p>AS123 66021612 12V 70A 5 Groove Pulley</p> | <p>Lester</p> | <p>Team Fenex Agriculture & Industrial</p> |
|  | <p>AVi128 66021613 12V 95A 6 Groove Pulley</p> | <p>PIC 250-435 Ford 2U1L-10300-CA XS61-10300-BD</p> | <p>Ford Industrial Rocam engine 1.3L L4 1.6L L4 Also Complies to SAE J1171 for marine applications</p> |
|  | <p>AVi128 66021614 12V 95A 6 Groove Pulley</p> | <p>Lester 7750 Ford F57U-10300-AA F67U-10300-BA F77U-10300-BA Bosch AL7545X J & N 400-14020 WAI 1-1431-12FD 20-221-10</p> | <p>Ford Light Trucks Aerostar, E-series vans, Explorer, Ranger Ford Industrial 3.0L V6 4.0L V6 2.3L L4 2.5L L4 Also Complies to SAE J1171 for marine applications</p> |

ALL LEECE-NEVILLE PART NUMBERS SHOWN ARE OE; FOR AFTERMARKET ORDERING ADD A "S" SUFFIX TO THE PART NUMBER (IE 66021601 IS OE & 66021601S IS AFTERMARKET)

Alternator Application and Cross reference Guide

| Front & Side View | Type & Part. N° | Cross Ref. | Application / Vehicle / Engine |
|--|--|--|---|
|  | <p>AS123 66021616 24V 55A 19mm Shaft with Key Insulated ground</p> | <p>Lester Cummins 4094998 Prestolite LNA 4024 126973 AC5 82460M</p> | <p>Cummins QSK 19</p> |
|  | <p>AS128e 66021620 12V 100A 17mm Shaft 70mm Pulley</p> | <p>Lester 12145 Bosch 0-120-484-011 0-120-484-018 0-120-484-026 AL9909X Delco 10459499 Dixie A-6236 Case A187623 Caterpillar 1052813 John Deere AH137883 Perkins 3054</p> | <p>Agriculture Industrial Off Road John Deere Crawler, Skidder, Tractor Caterpillar Backhoe</p> |

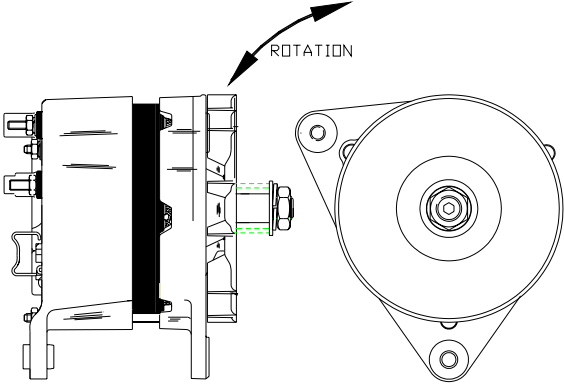
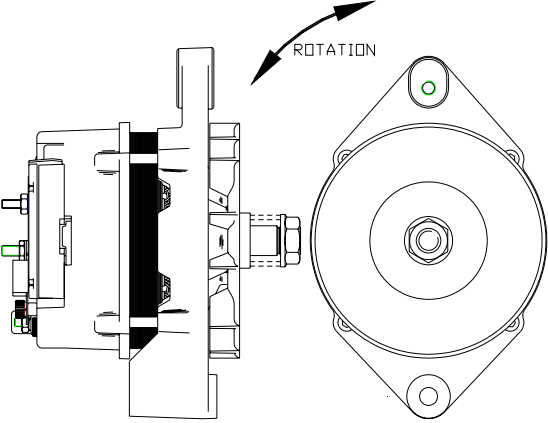
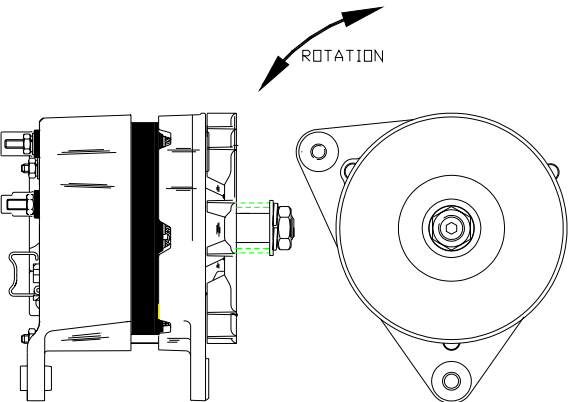
ALL LEECE-NEVILLE PART NUMBERS SHOWN ARE OE; FOR AFTERMARKET ORDERING ADD A "S" SUFFIX
TO THE PART NUMBER (IE 66021601 IS OE & 66021601S IS AFTERMARKET)

Alternator Application and Cross reference Guide

| Front & Side View | Type & Part. N° | Cross Ref. | Application / Vehicle / Engine |
|-------------------|--|--|---|
| | <p>AS128e 66021621 12V 100A</p> <p>Variable 65mm Pulley</p> <p>Supplied with Multifit Kit</p> | <p>Lester</p> <p>Various</p> | <p>Agriculture Industrial Off Road</p> |
| | <p>AS128e 66021622 12V 100A</p> <p>17mm Shaft</p> | <p>Lester</p> <p>Various</p> | <p>Ford AG Massey Ferguson</p> <p>Agriculture</p> |
| | <p>AS128e 66021624 12V 90A</p> <p>17mm Shaft</p> <p>Bosch Type Plug</p> | <p>Lester 12223</p> <p>Bosch 9-120-060-028 9-120-060-027 9-120-060-023 AL927X AL929X AL929N</p> <p>Thermo King 44-9570 44-9571 44-9572</p> | <p>Thermo King</p> |

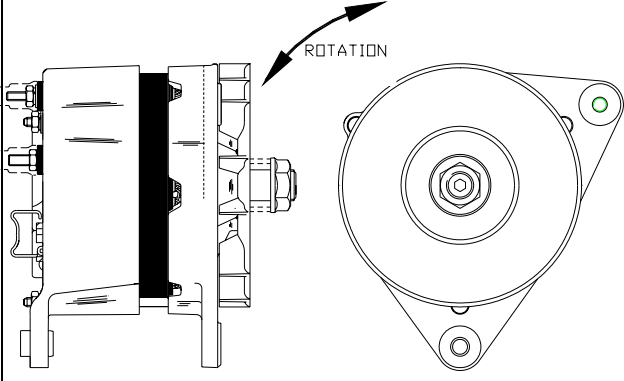
ALL LEECE-NEVILLE PART NUMBERS SHOWN ARE OE; FOR AFTERMARKET ORDERING ADD A "S" SUFFIX TO THE PART NUMBER (IE 66021601 IS OE & 66021601S IS AFTERMARKET)

Alternator Application and Cross reference Guide

| Front & Side View | Type & Part. N° | Cross Ref. | Application / Vehicle / Engine |
|---|---|---|--|
|  | <p>AS128e 66021625 12V 100A 17mm Shaft Temperature Sensed Regulator</p> | <p>Lester 12094 Various</p> | <p>Ford AG Agriculture</p> |
|  | <p>AS123 66021631 12V 70A 17mm long Shaft 10mm Clear hole in top lug</p> | <p>Lester 12158 Bosch 9-120-060-040 9-120-060-045 AL906X AL9959X Iskra IA0592 IA0595 John Deere AT173624</p> | <p>John Deere Backhoe John Deere Loader Tractors & Industrial</p> |
|  | <p>AS123 66021636 12V 70A 17mm Shaft Similar to 66021136 but for shaft size</p> | <p>Lester 12040 12045 12088 Lucas 24157 24158 Iskra IA 0067 Marelli 63324245</p> | <p>Ford Case Massey Ferguson Tractors & Industrial JCB Lift truck</p> |

ALL LEECE-NEVILLE PART NUMBERS SHOWN ARE OE; FOR AFTERMARKET ORDERING ADD A "S" SUFFIX TO THE PART NUMBER (IE 66021601 IS OE & 66021601S IS AFTERMARKET)

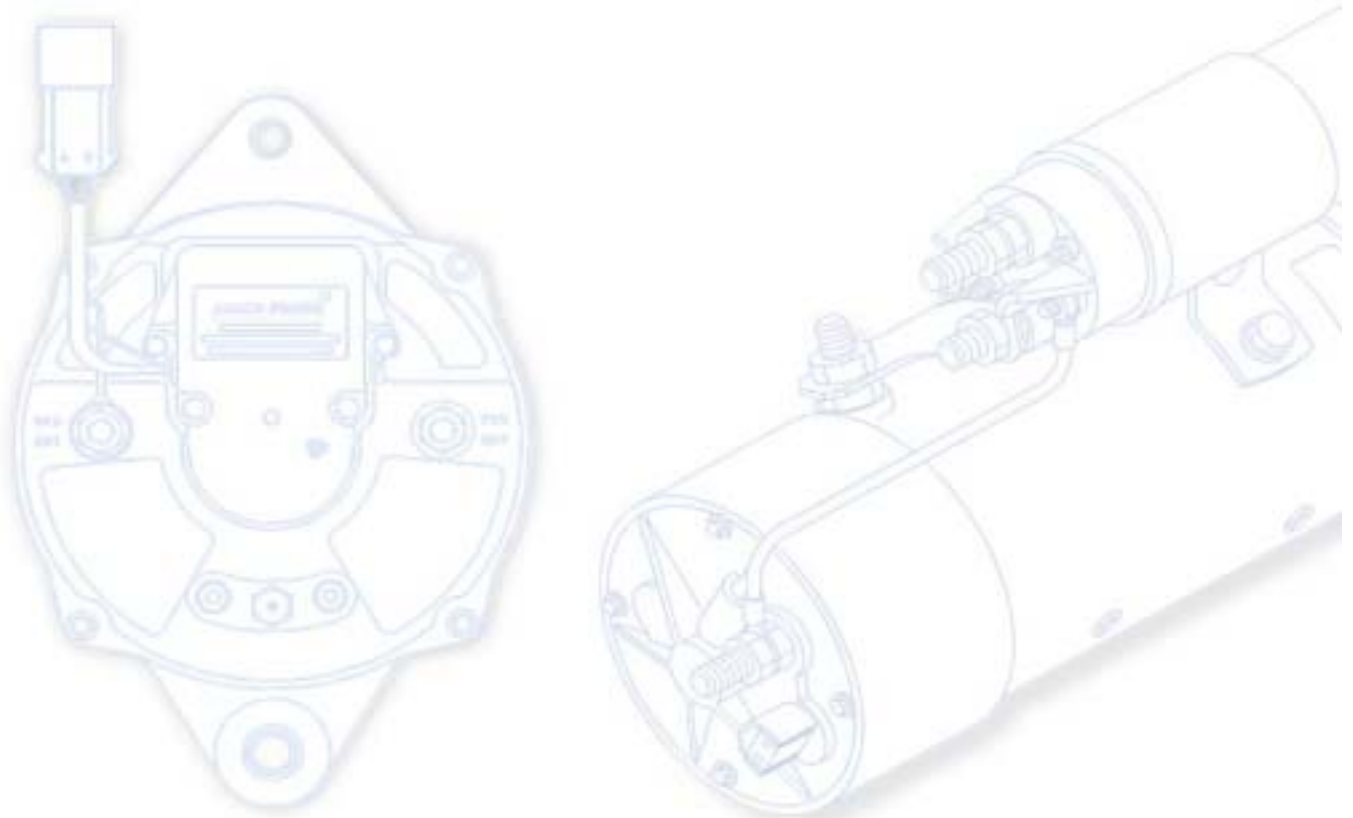
Alternator Application and Cross reference Guide

| Front & Side View | Type & Part. N° | Cross Ref. | Application / Vehicle / Engine |
|--|---|---|--|
|  | <p>AS123 66021637 12V 70A 17mm Shaft Similar to 66021137 but for shaft size</p> | <p>Lester 12040 12045 12088 Lucas 24157 24158 Iskra IA 0067 Marelli 63324245</p> | <p>Ford Case Massey Ferguson Tractors & Industrial JCB Lift truck</p> |

ALL LEECE-NEVILLE PART NUMBERS SHOWN ARE OE; FOR AFTERMARKET ORDERING ADD A "S" SUFFIX TO THE PART NUMBER (IE 66021601 IS OE & 66021601S IS AFTERMARKET)

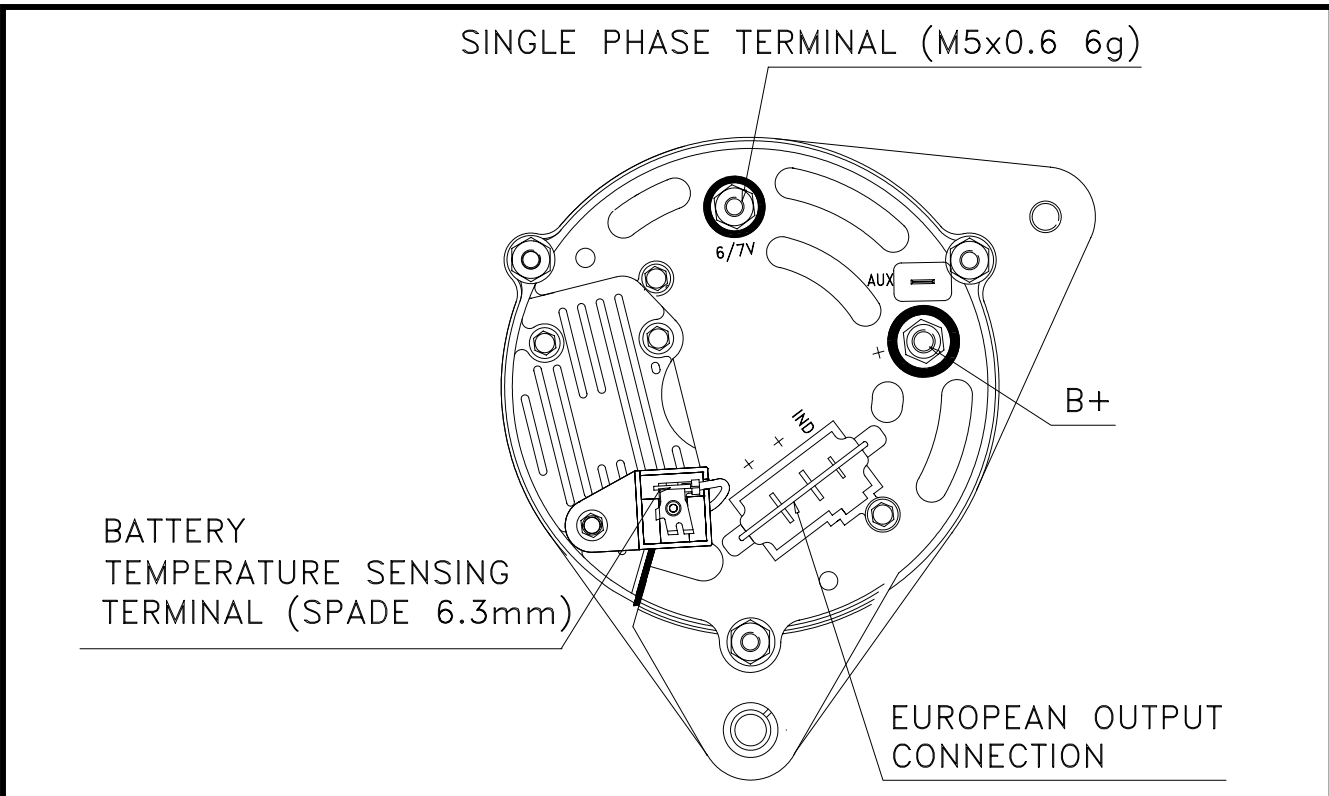
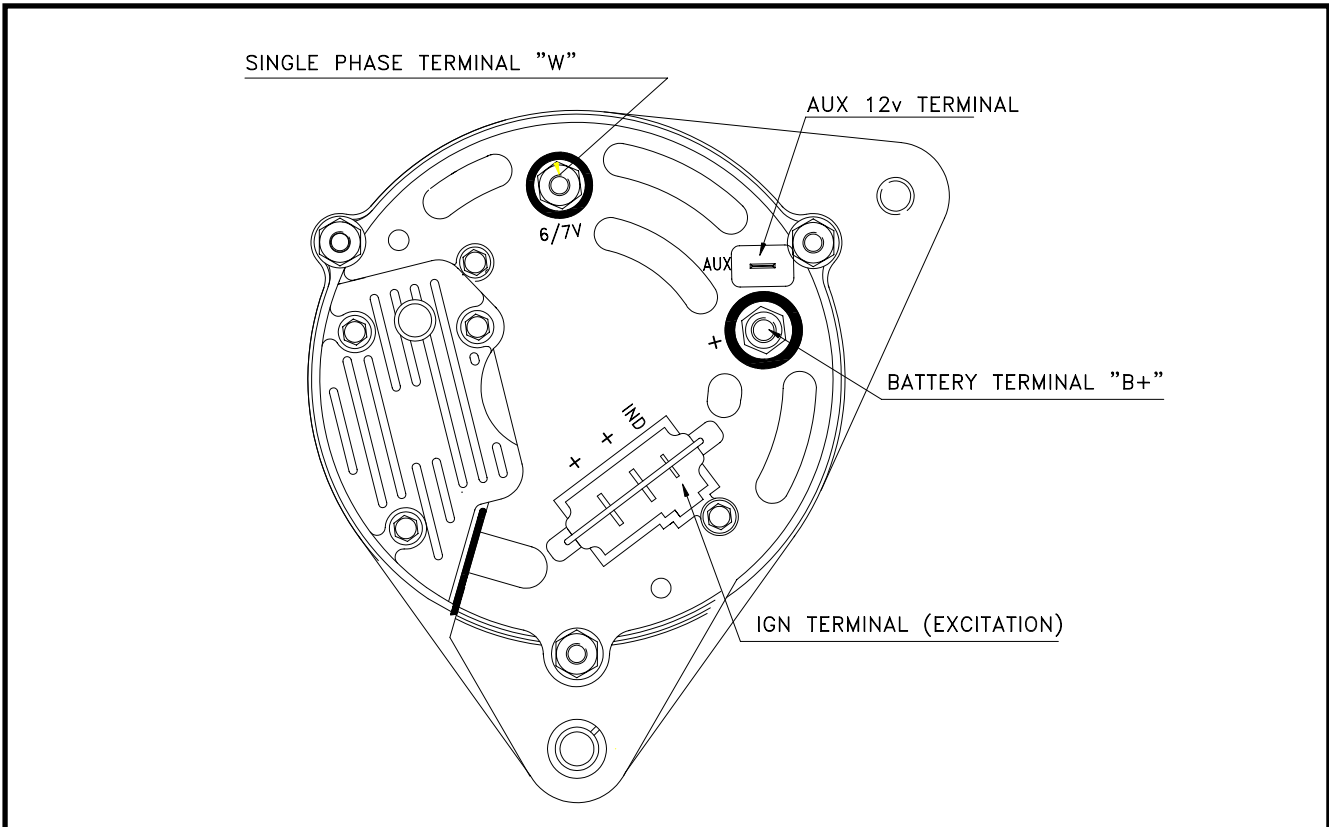
Technical Reference Information

Revision H

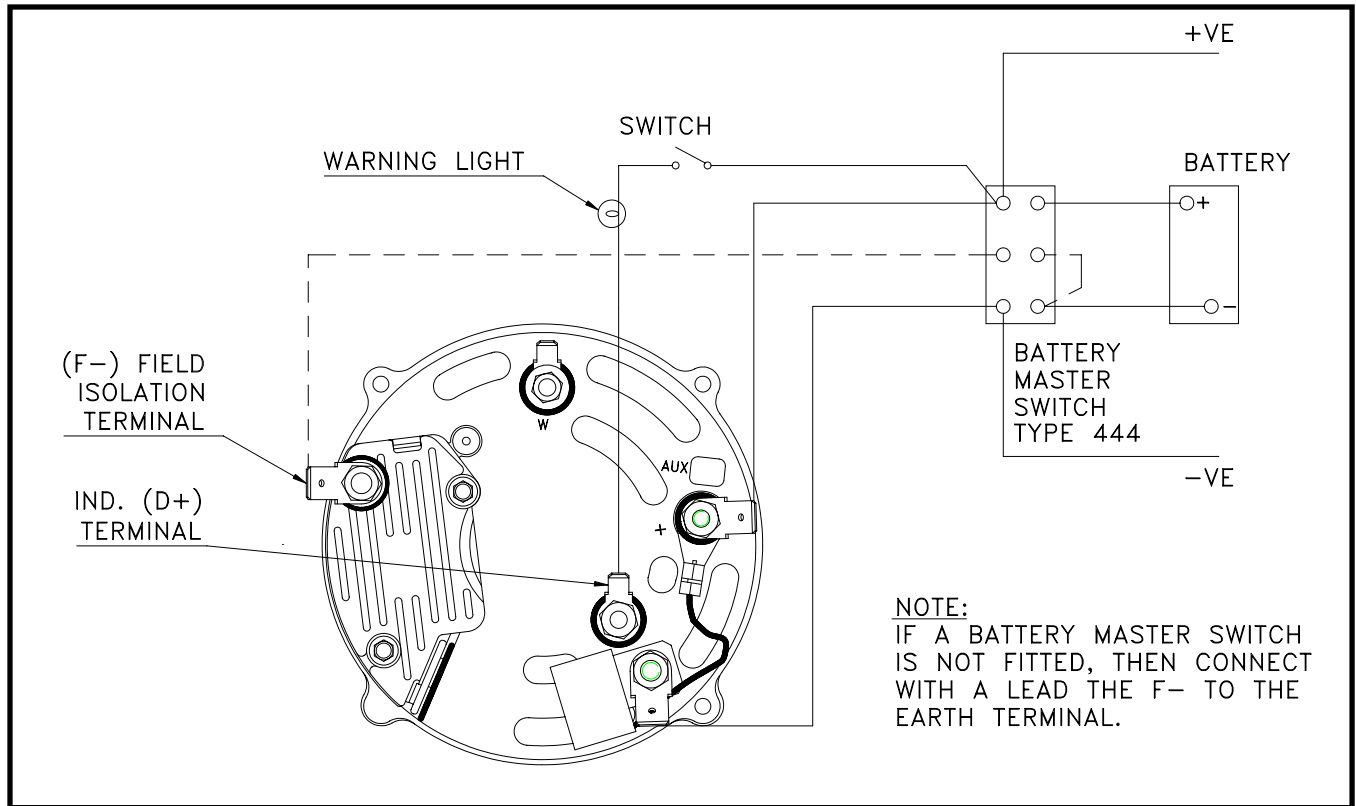


PAGE INTENTIONALLY LEFT BLANK

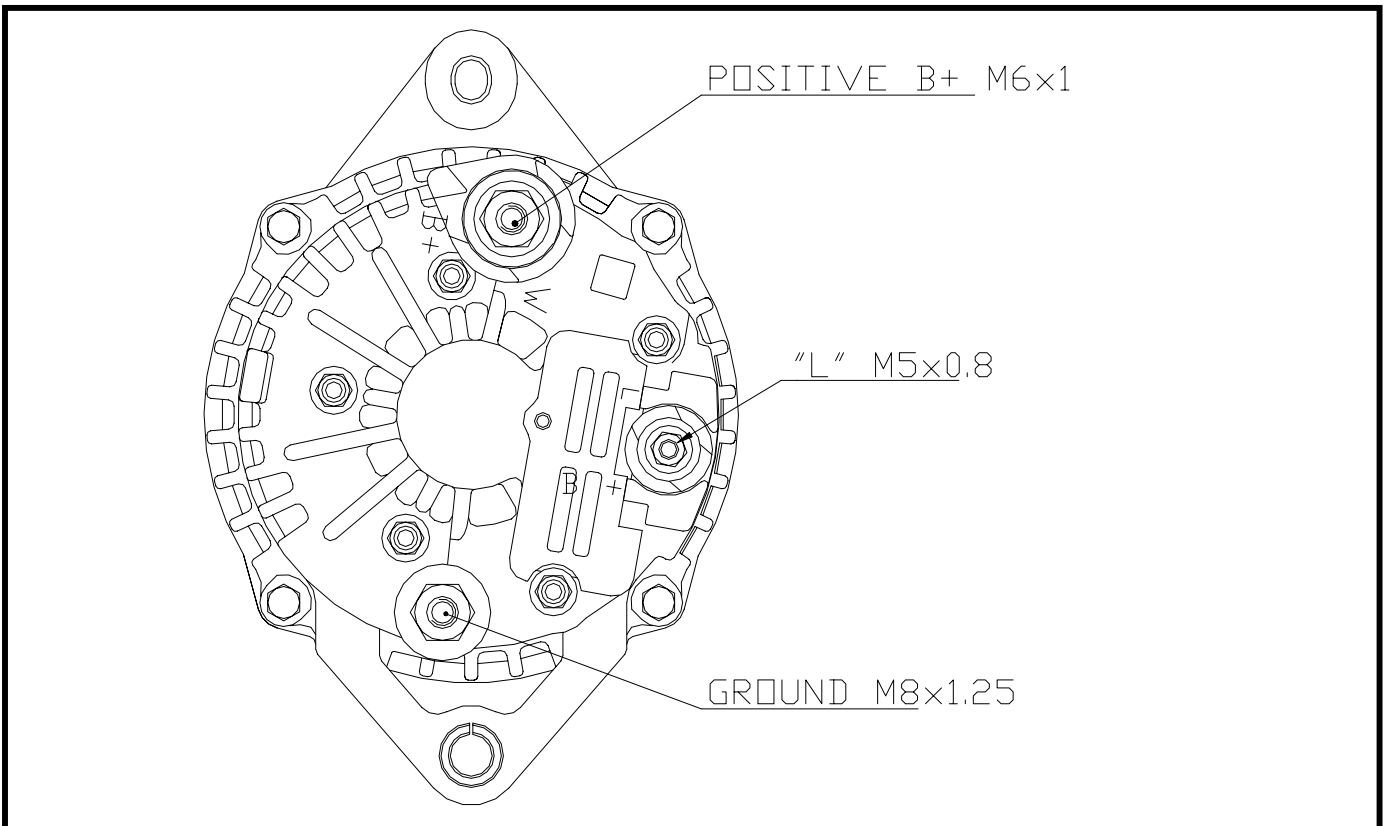
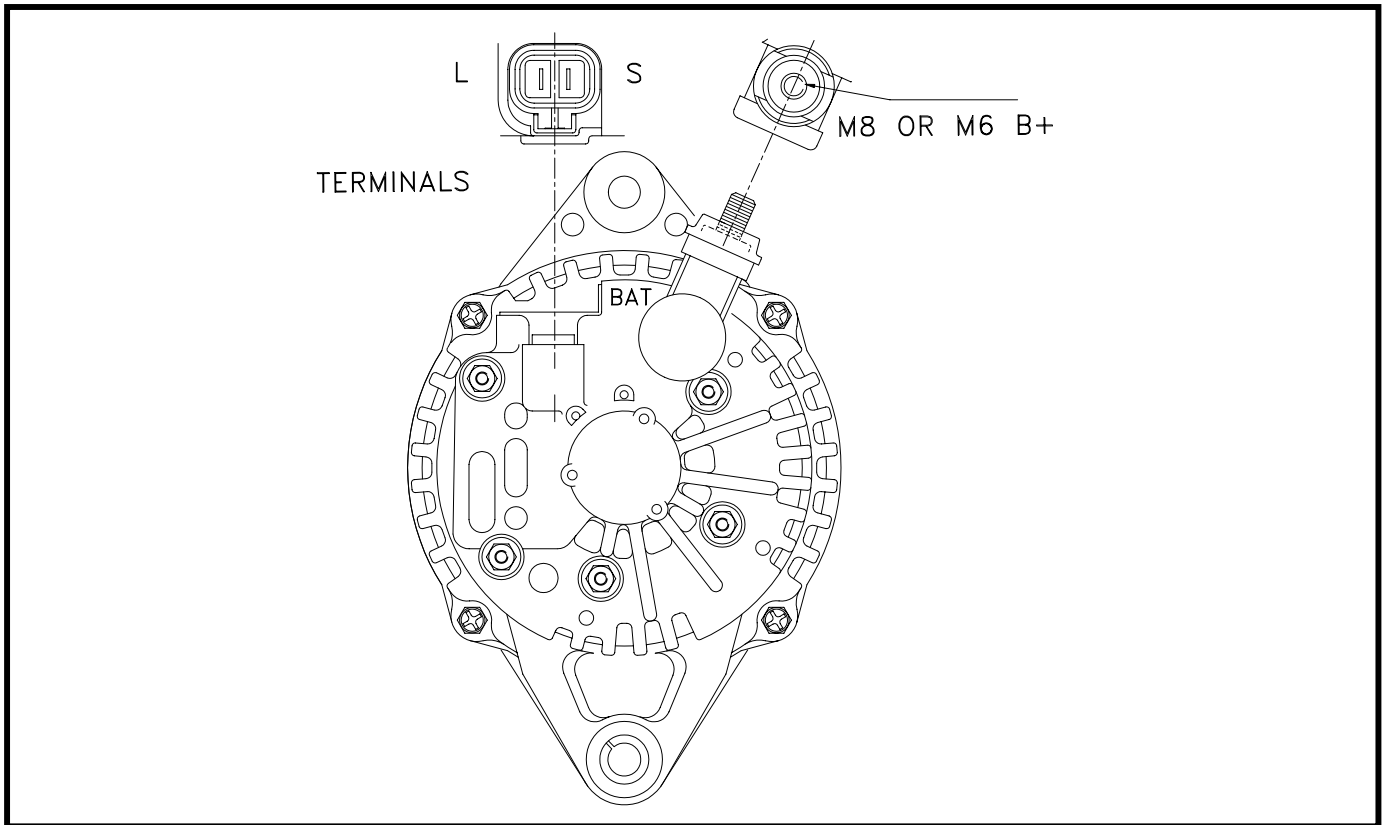
TYPICAL AS123 CONNECTION DIAGRAMS



**TYPICAL AS123 CONNECTION DIAGRAMS FOR
INSULATED GROUND MODELS AND SEPARATE
FIELD CONTROL**



TYPICAL AVi128 CONNECTION DIAGRAMS



Technical Reference Information TYPICAL AVi128 CONNECTION DIAGRAMS

